

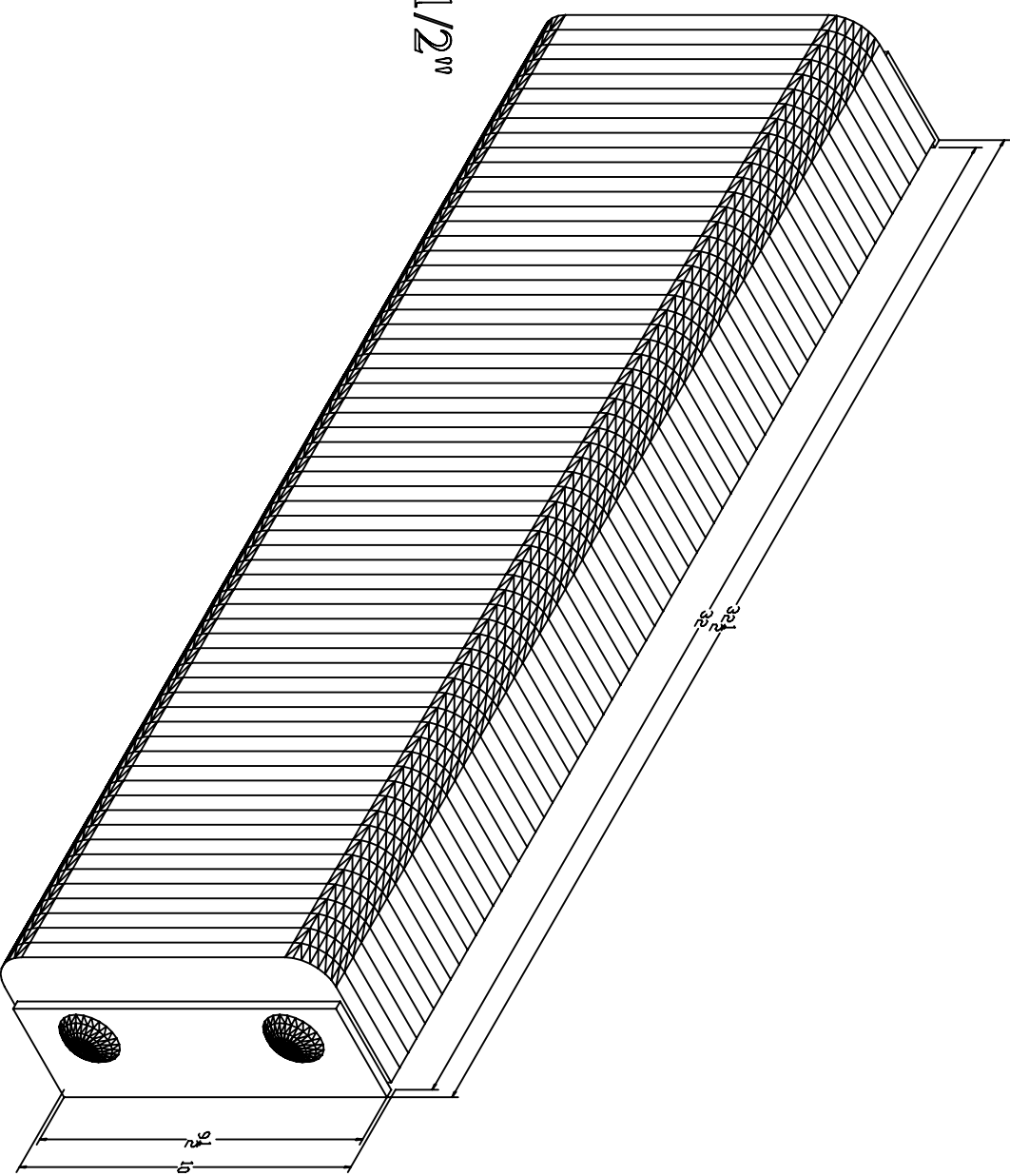
Durable Corporation
(800) 537-1603

Model: B4510-36-P2

MODEL: B4510-36-P2

Size
Projection 4-1/2"
Height 10"

Length:
-Overall 32-1/2"
-Rubber 32"
Plate Size (2) 1/4"x3"x9-1/2"



Bolt Heads Are Inscribed
"DURABLE CORP"

Date: 04/06/09

All measurements are +/- 1/8"

Confidential - Property of Durable Corporation