

Durable Corporation  
(800) 537-1603

Model: ER-25

MODEL: ER-25

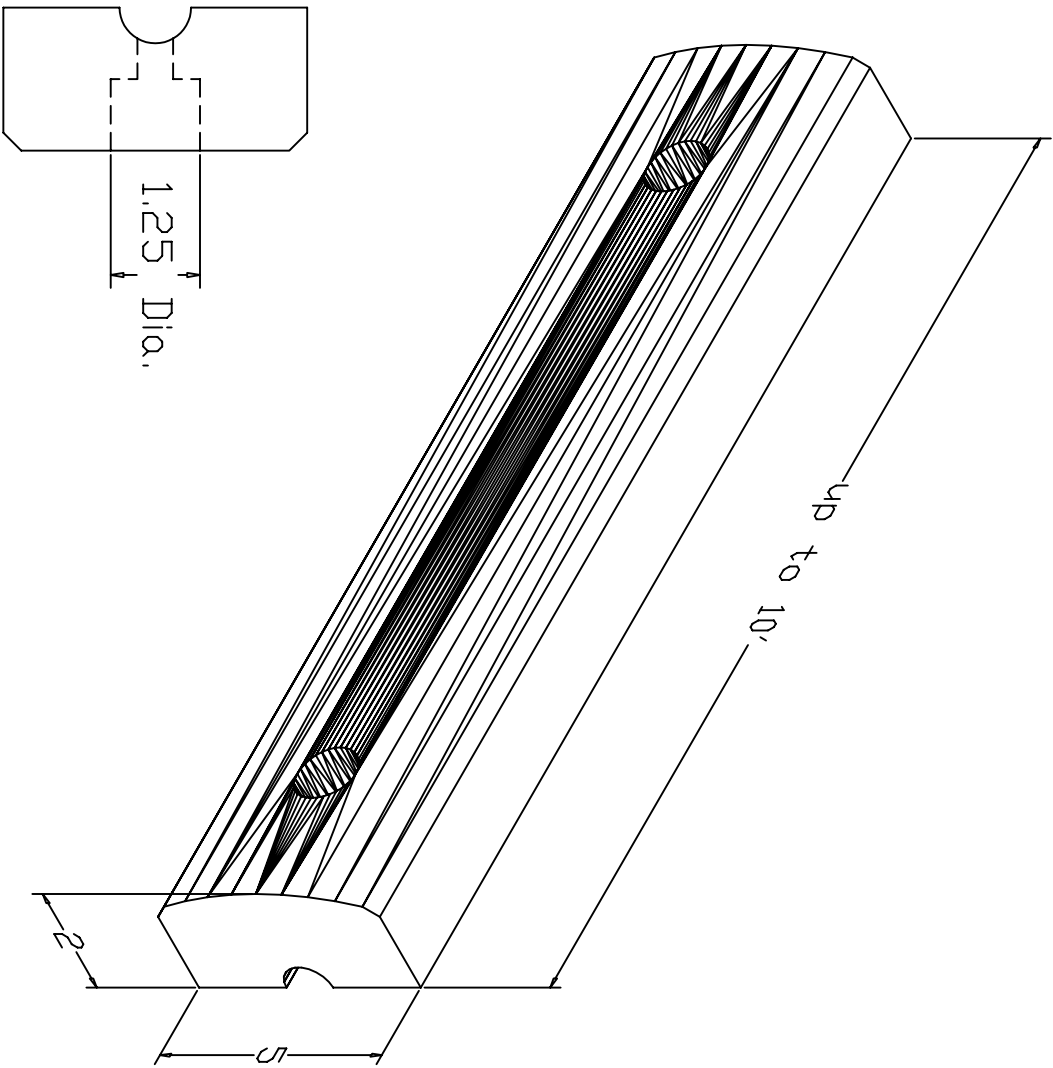
EXTRUDED BUMPER

Size

Overall Length	up to 10'
Overall Thickness	2"
Height	5"
Bolt Size	1/2 x 6"
Total Weight	5 lbs/ft

Date: 8/9/99  
Scale: Full

Please Note:  
-Weights are calculated and are not  
actual and overall tolerance may vary + or - 1/4.



SIDE VIEW