

Durable Corporation
(800) 537-1603

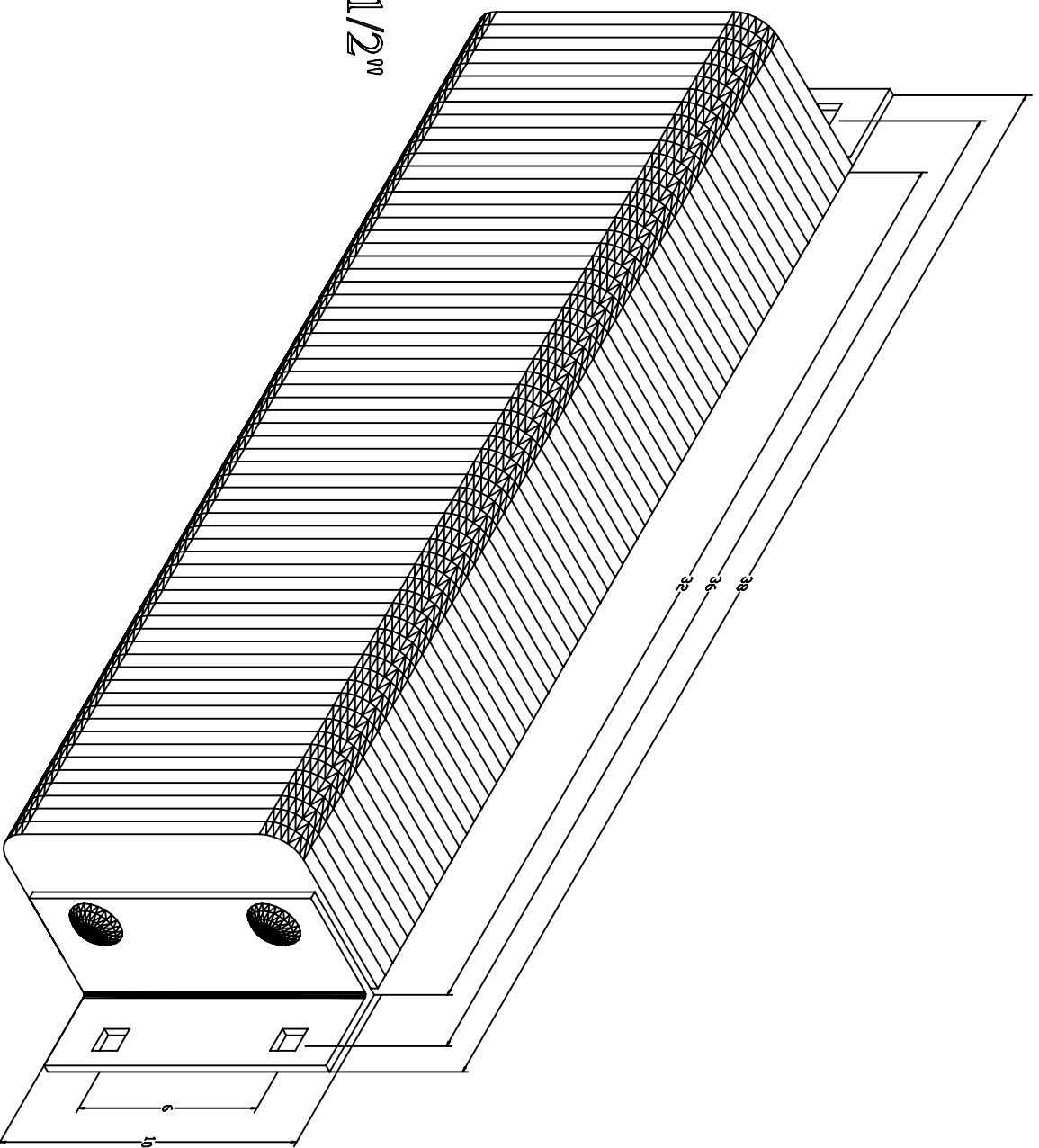
Model: B610-36

MODEL: B610-36

Size
Projection 6"
Height 10"

Length:
-Overall 38"
-Anchor Holes 36"
-Rubber 32"
Angle Size (2) 1/4"x3"x4"x9-1/2"

Date: 06/20/07



All measurements are +/- 1/8"

Confidential – Property of Durable Corporation