

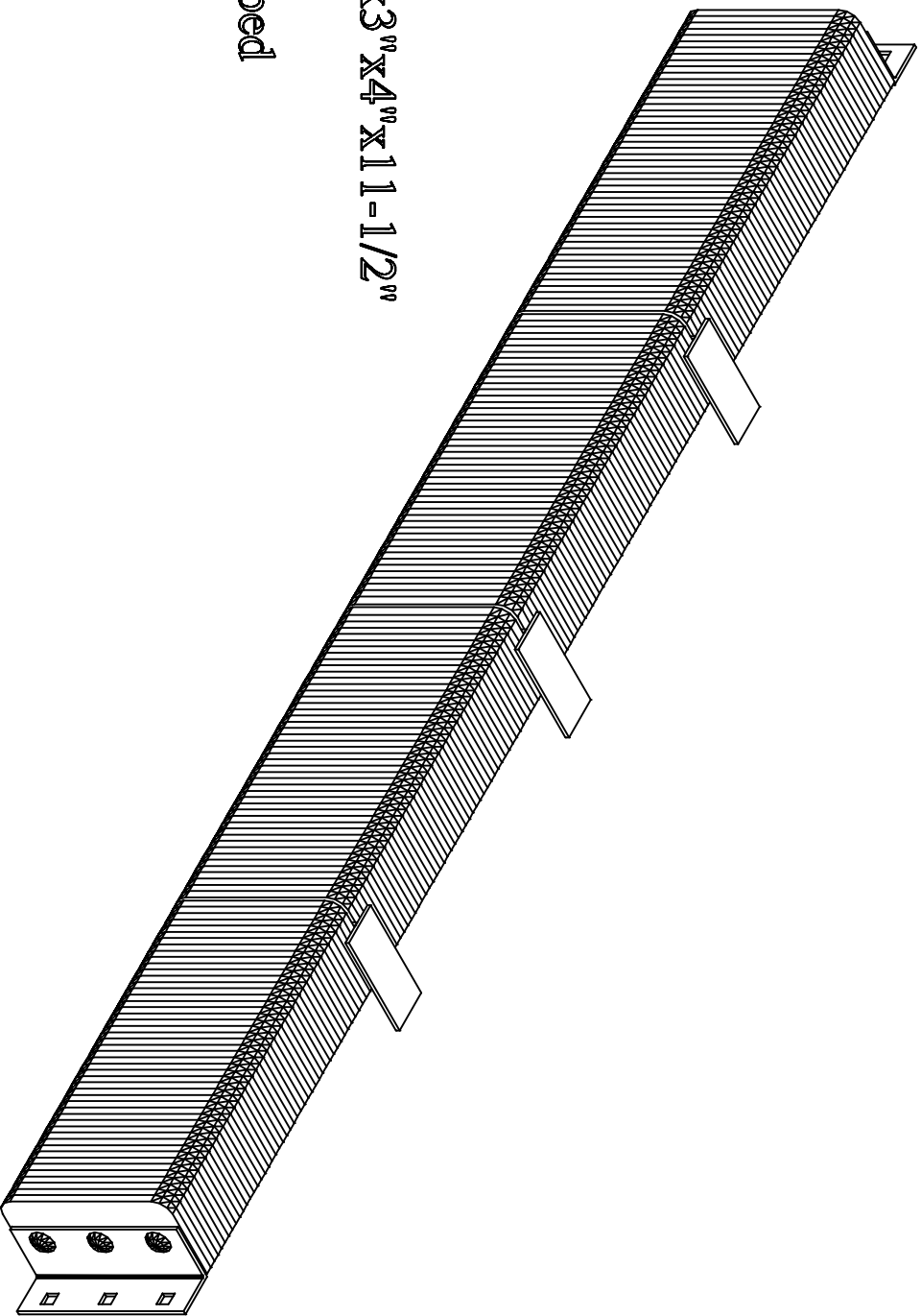
Durable Corporation  
(800) 537-1603

Model: B612-99-A3

MODEL: B612-99-A3

Size  
Projection 6"  
Height 12"

Length:  
-Overall 101"  
-Anchor Holes 99"  
-Rubber 95"  
Angle Size 1/4"x3"x4"x1-1/2"



Bolt Heads Are Inscribed  
DURABLE CORP™

Date: 11/02/15

All measurements are +/- 1/8"

Confidential -- Property of Durable Corporation