

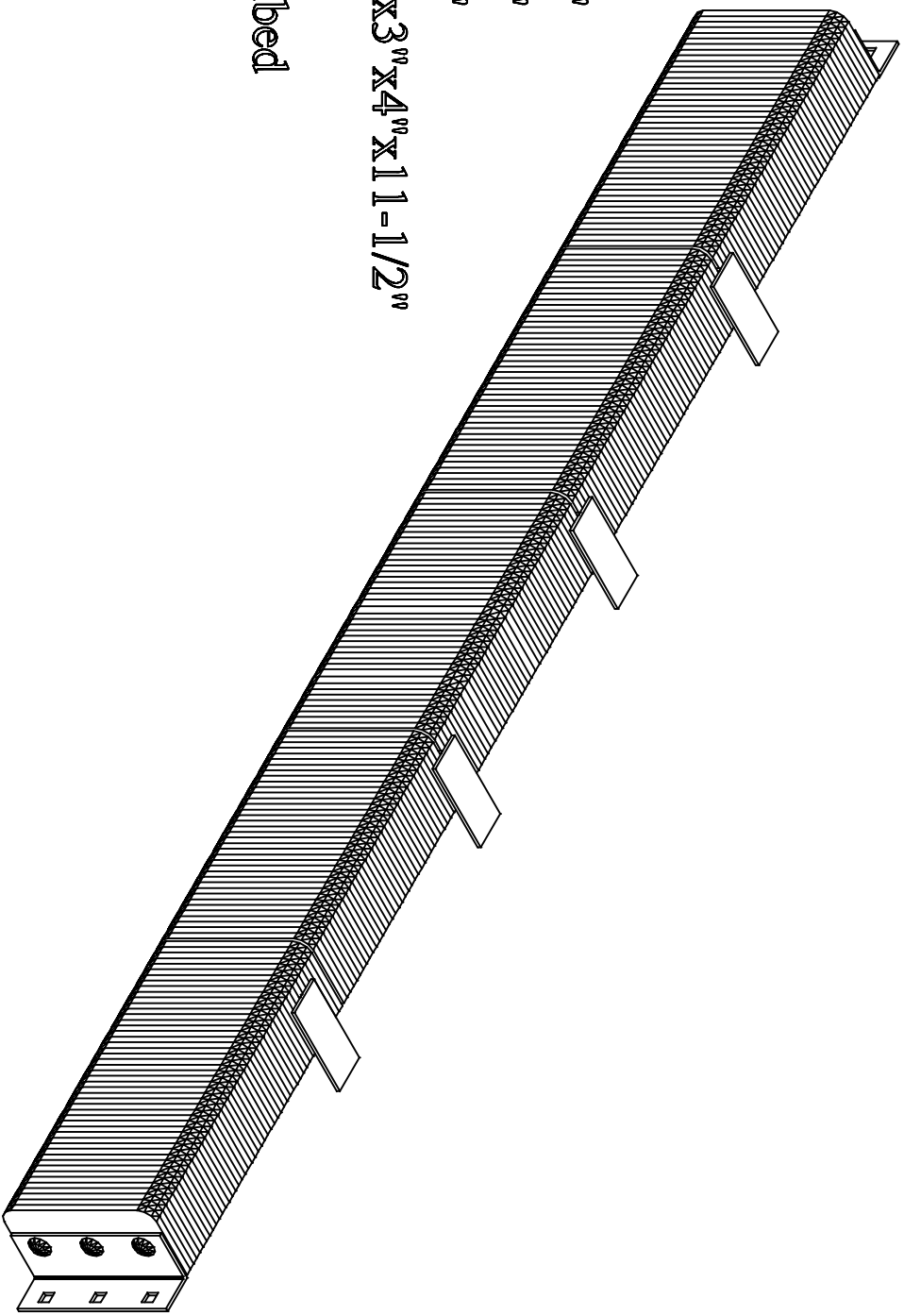
Durable Corporation  
(800) 537-1603

Model: B612-111-A3

MODEL: B612-111-A3

Size  
Projection 6"  
Height 12"

Length:  
-Overall 113"  
-Anchor Holes 111"  
-Rubber 107"  
Angle Size 1/4"x3"x4"x1-1/2"



Bolt Heads Are Inscribed  
DURABLE CORP<sup>™</sup>

Date: 11/01/15

All measurements are +/- 1/8"

Confidential -- Property of Durable Corporation