

Durable Corporation
(800) 537-1603

Model: TTB-60

**MODEL: TTB-60
MOLDED TRAILER AND
CRANE BUMPER**

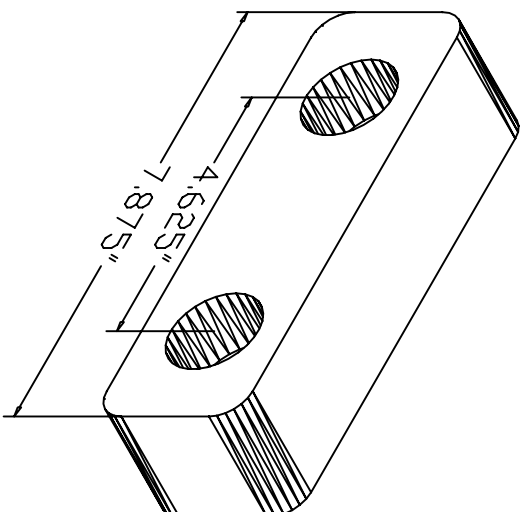
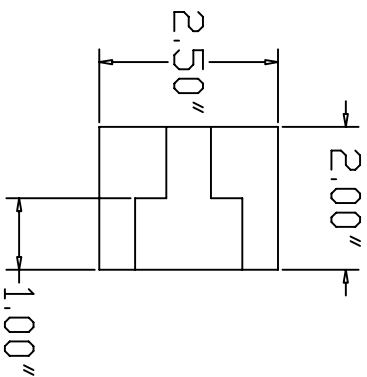
Size

Overall Length 7-7/8"
Overall Thickness 2"
-Height 2-1/2"
-Anchor Holes 4-5/8"
Total Weight 1-1/4 lbs

Date: 01/05/04

Scale: Full

Please Note: Weights are calculated and are not actual and overall tolerance may vary + or - 1/4".



TTB-60 is molded from a nylon & polyester fibre reinforced rubber of 80 (+ or -) 5 durometer, and has an average impact resistance of 95% under ASTM 1170.